

SEPTIC TANK ECODEPUR[®] FS VT4.0

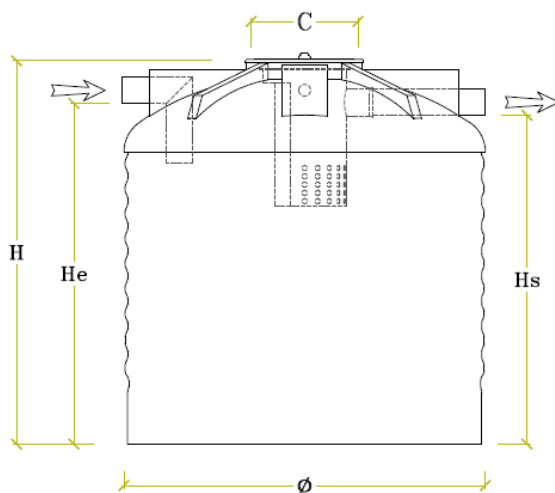
TECHNICAL INFORMATION

Septic Tank ECODEPUR[®] FS VT4.0 is a equipment that allows domestic, or similar, wastewater treatment, and incorporates a primary settling tank and anaerobic digester.



| | |
|--|--|
| STANDARD MANUFACTURING IDENTIFICATION | EN 12566-1 |
| EQUIPMENT IDENTIFICATION | Septic Tank |
| BRAND | ECODEPUR [®] |
| TYPE | FS VT4.0 |
| SHAPE | Vertical |
| MATERIAL | Polyethylene |
| NOMINAL CAPACITY | 4,16 m ³ ¹ |
| CRUSHING RESISTANCE | 21,6 MPa ¹ |
| HYDRAULIC EFFICIENCY | 32,98 g of beads (Hydraulic Efficiency 97%) ¹ |

¹ – Initial Tests done by Notified Organism n.º 1842.



| TYPE | TOTAL VOLUME (l) | Ø (mm) | L (mm) | H (mm) | He (mm) | Hs (mm) | C (mm) | Ø PIPE (mm) | WEIGHT (Kg) |
|-----------------|------------------|--------|--------|--------|---------|---------|--------|-------------|-------------|
| FS VT4.0 | 4.200 | 1.890 | - | 1.910 | 1.720 | 1.670 | 400 | 110 | 125 |