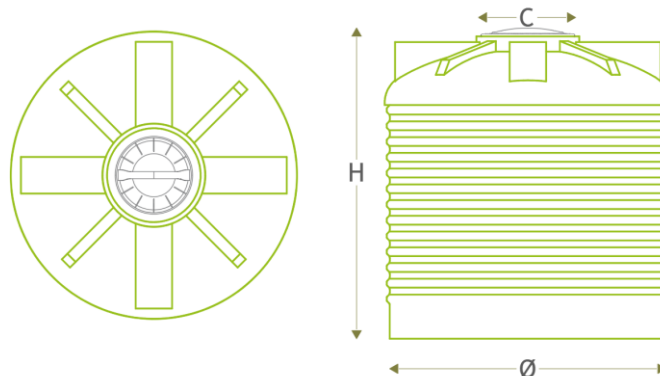


UNDERGROUND WATER TANK ECODEPUR[®] RSV-4.000

TECHNICAL INFORMATION

Underground Water Tanks **ECODEPUR[®] RSV-4.000** are intended for storing water for human consumption, urban, industrial and agricultural uses.

- Mark: **ECODEPUR[®]**
- Type: RSV-4.000;
- Manufactured in additive polyethylene anti-UV, by rotomoulding system, which confer elevated mechanical resistance and corrosion protection;
- Fully watertight;
- Polyethylene Cover.



TYPE	VOLUME TOTAL (l)	Ø (mm)	H (mm)	C (mm)	WEIGHT (kg)
RSV-4.000	4.000	1.890	1.940	400	120

Rev.4_23.07.24 | The pictures and dimensions can be changed without notice. The dimensions indicated have a tolerance of $\pm 2\%$.