

SEPTIC TANK ECODEPUR[®] FS VT2.0

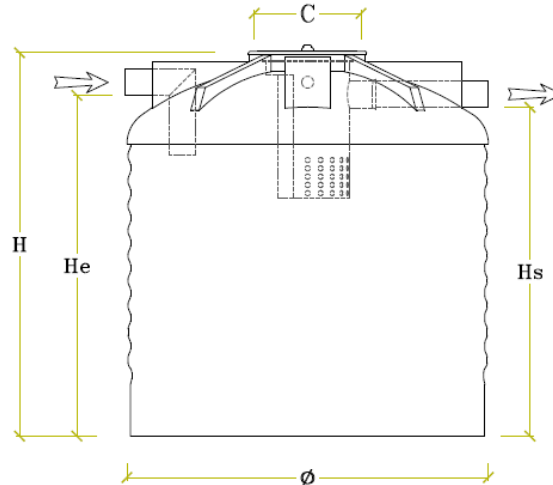
TECHNICAL INFORMATION

Septic Tank ECODEPUR[®] FS VT2.0 is a equipment that allows domestic, or similar, wastewater treatment, and incorporates a primary settling tank and anaerobic digester.



STANDARD MANUFACTURING IDENTIFICATION	EN 12566-1
EQUIPMENT IDENTIFICATION	Septic Tank
BRAND	ECODEPUR [®]
TYPE	FS VT2.0
SHAPE	Horizontal
MATERIAL	Polyethylene
NOMINAL CAPACITY	1.99 m ³ ¹
CRUSHING RESISTANCE	21,6 MPa ¹
HYDRAULIC EFFICIENCY	32,98 g of beads (Hydraulic Efficiency 97%) ¹

¹ - Initial Tests done by Notified Organism n.º 1842.



TYPE	TOTAL VOLUME (l)	Ø (mm)	L (mm)	H (mm)	He (mm)	Hs (mm)	C (mm)	Ø PIPE (mm)	WEIGHT (Kg)
FS VT2.0	2.000	1.530	-	1.620	1.440	1.390	400	110	75